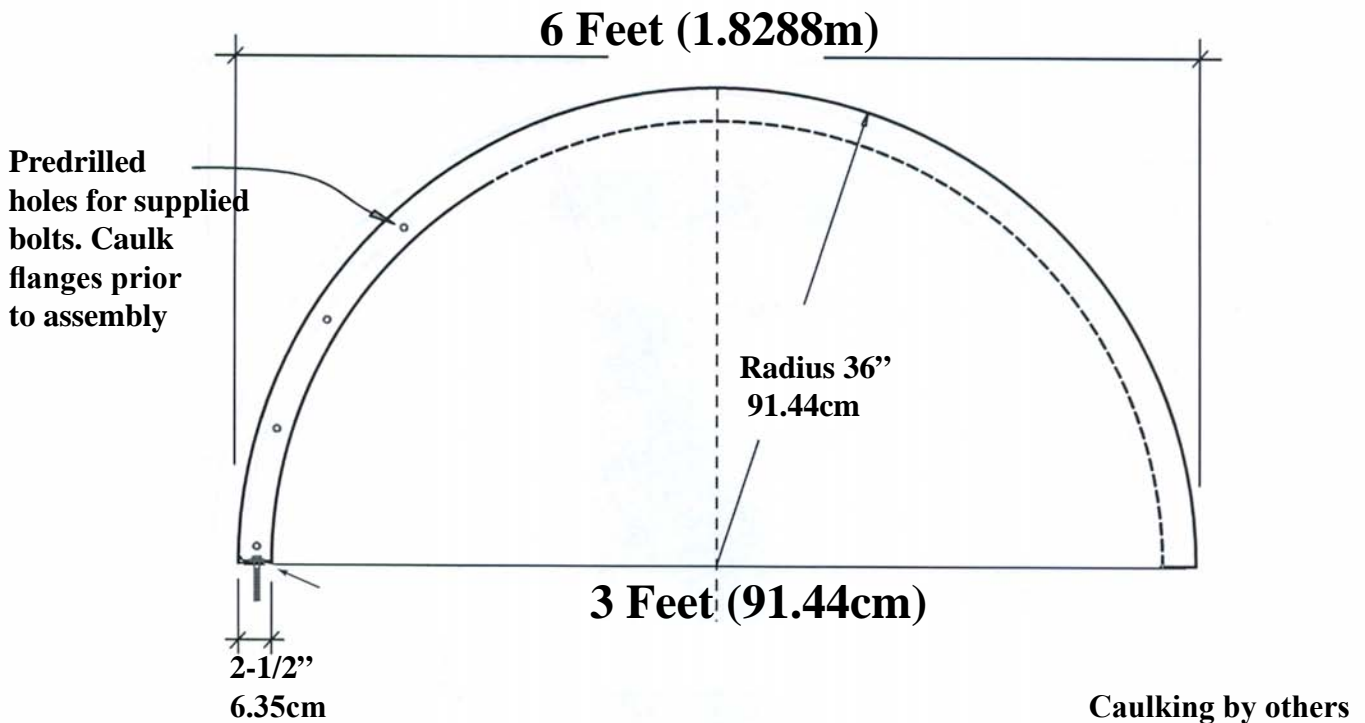


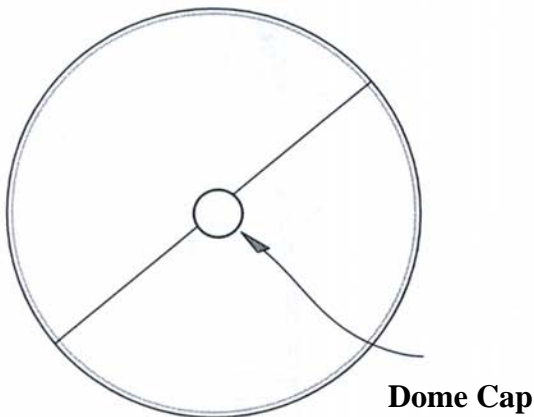


Exterior Dome IPDM5006

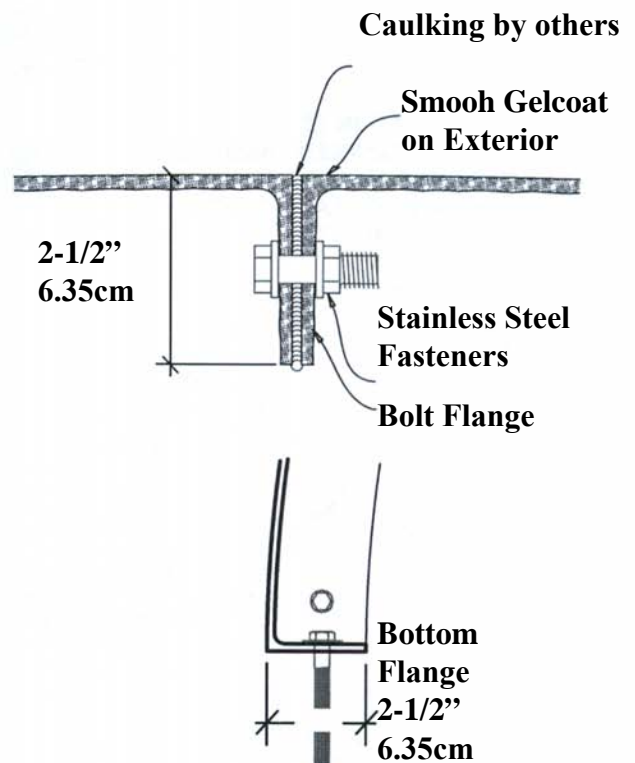
Martin Richards Design.
COLLECTION



2 PARTS



Weight 145 lbs 65.771 kg



* All specifications subject to change without notice, Final products & Measurements may vary from this brochure



Imperial Productions®

1-800-399-7585

Imperial Productions & Distribution Inc Toronto / New York

email sales@imperialproductions.com copyright 2016 MRDCI All Rights Reserved

JUL-20